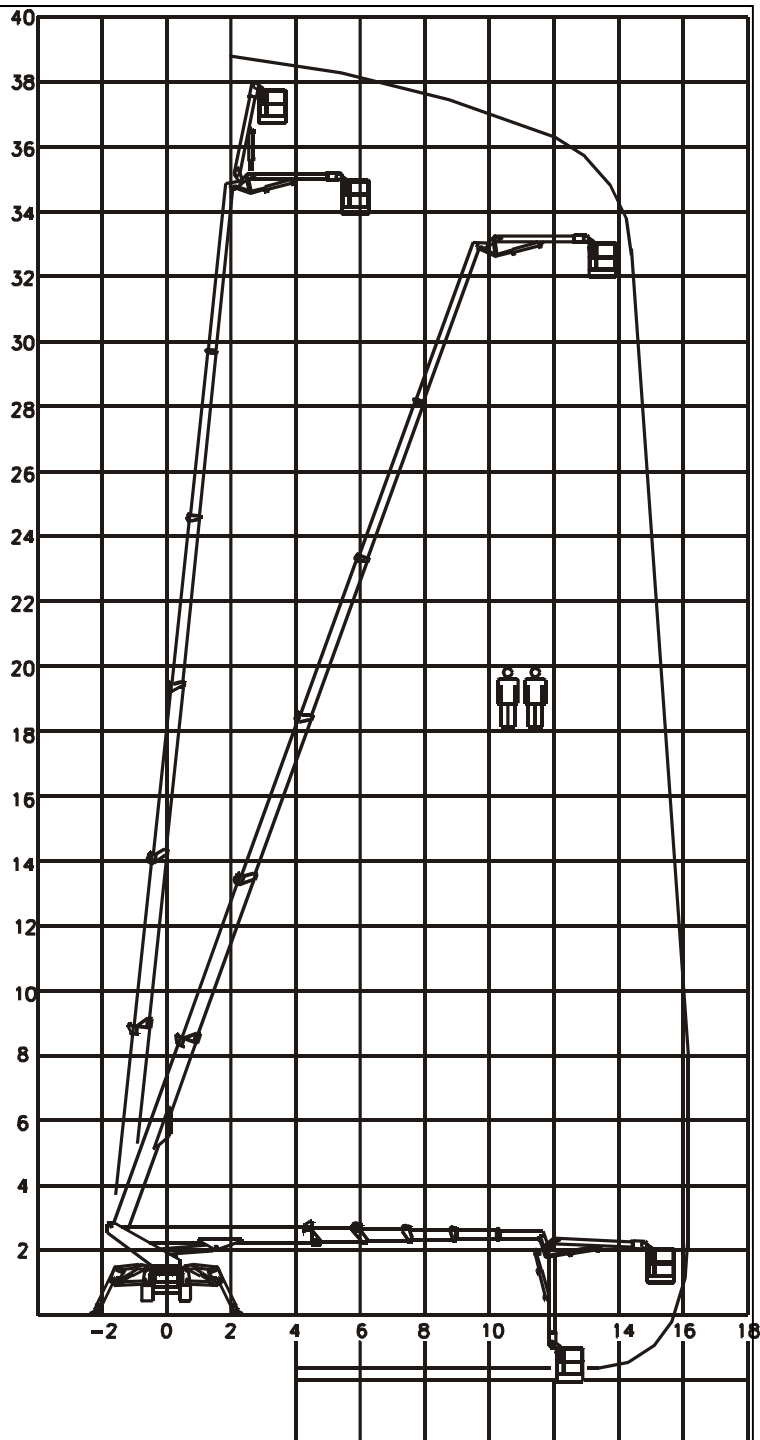
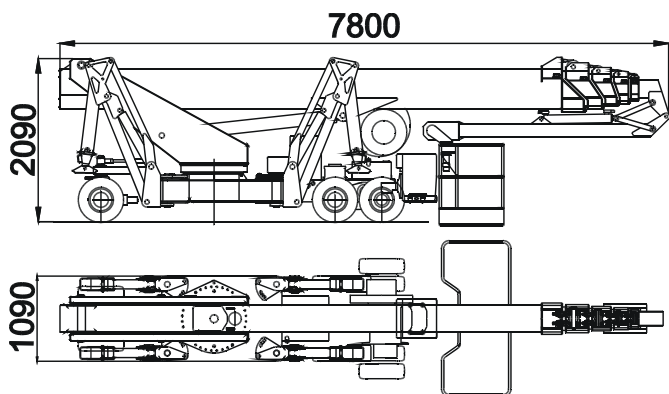


RAGNO TSJ 39/R



MOTORE DIESEL	DIESEL ENGINE	DIESELMOTOR	MOTEUR DIESEL	10 kW
MOTORE ELETTRICO	ELECTRIC MOTOR	ELEKTROMOTOR	MOTEUR ELECTRIQUE	220V – 2,2kW 380V – 5,5kW
PENDENZA MAX	MAX SLOPE	MAX STEIGFAHIGKEIT	PENTE MAXI	25%
VELOCITA' MAX	MAX SPEED	MAX GESCHWINDIGKEIT	VITESSE MAXI	2 km/h appr.
ROTAZIONE TORRETTA	TURNTABLE SLEWING	DREHTURM ROTATION	ROTATION TOURELLE	360° cont.
NAVICELLA AEREA	AERIAL CAGE	ARBEITSKORB	NACELLE	240 x 90 cm
ROTAZIONE NAVICELLA	CAGE ROTATION	KORB ROTATION	ORIENTATION NACELLE	80° + 80°
PORTATA UTILE	SAFE WORK. LOAD	ZULADUNG	CHARGE UTILE	200 kgs
PESO	WEIGHT	GEWICHT	POIDS	7.500 kg.
ROTAZIONE TORRETTA	TURNTABLE SLEWING	DREHTURM ROTATION	ROTATION TOURELLE	360° cont.

Palazzani Industrie SpA

25050 PADERNO F.C. (BS) - ITALIA

Tel ++ 39 030 6857073 - Fax ++ 39 030 657079

mail: platforms@palazzani.it

url: www.palazzani.it

SCHEDA/SHEET N° 369