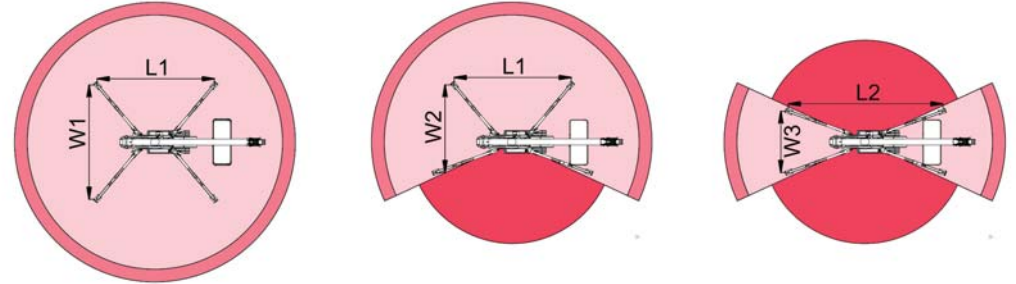
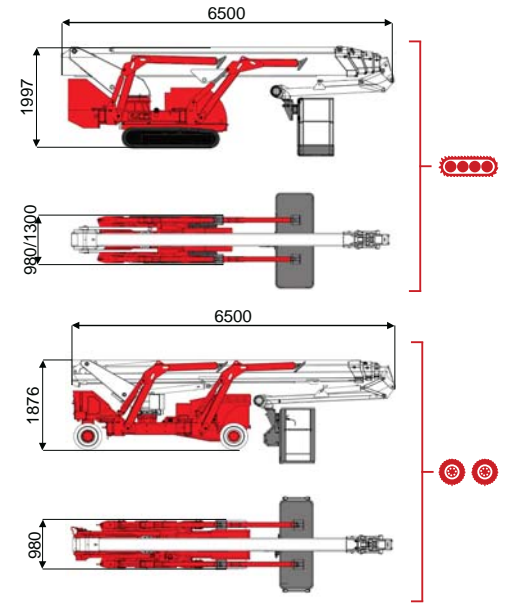
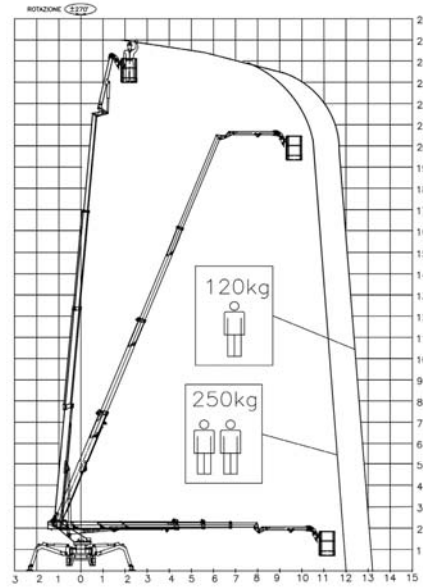




25 m ↑  
13 m →  
250 Kg 🧑🧑



|          |          |            |         |         |         |         |         |
|----------|----------|------------|---------|---------|---------|---------|---------|
| 12000 mm | 13200 mm | 7000 mm    | L1      | L2      | W1      | W2      | W3      |
| 250 kg   | 120 kg   | 120/250 kg | 4971 mm | 6542 mm | 4853 mm | 3732 mm | 2610 mm |

BI-ENERGY  
Diesel+AC



|          |     |      |      |        |      |      |           |         |            |     |     |          |         |       |                        |                        |             |         |         |
|----------|-----|------|------|--------|------|------|-----------|---------|------------|-----|-----|----------|---------|-------|------------------------|------------------------|-------------|---------|---------|
| TSJ 25/C | 🔋   | 25 m | 13 m | 250 kg | 175° | 540° | 180x70 cm | 90°+80° | 2,6-4,85 m | 30% | 40% | 1,4 km/h | 3950 kg | 26 kN | 1,78 kN/m <sup>2</sup> | 3,21 kN/m <sup>2</sup> | 980/1300 mm | 6500 mm | 1997 mm |
| TSJ 25/R | ⊗ ⊗ | 25 m | 13 m | 250 kg | 175° | 540° | 180x70 cm | 90°+80° | 2,6-4,86 m | 30% | 25% | 1,3 km/h | 3950 kg | 26 kN | 1,78 kN/m <sup>2</sup> | 3,21 kN/m <sup>2</sup> | 980 mm      | 6500 mm | 1876 mm |



Battery type



Battery charge



Add. Weight



Autonomy



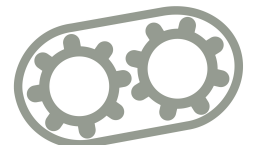
Charging time

Electropump

|        |           |       |                |              |        |               |    |            |
|--------|-----------|-------|----------------|--------------|--------|---------------|----|------------|
| ECO    | DC+AC     | 🔋     | 48V 320 A/h 5h | 230V-48V 45A | 450 kg | 6-7 h endless | 7h | 48V 12 kW  |
| ECO    | DC+AC     | ⊗ ⊗   | 48V 270 A/h 5h | 230V-48V 45A | 400 kg | 6-7 h endless | 7h | 48V 9 kW   |
| HYBRID | Diesel+DC | 🔋 ⊗ ⊗ | 24V 240 A/h 5h | 230V-24V 35A | 200 kg | 2-3 h endless | 7h | 24V 5,5 kW |

Characteristics and technical data are informative only and subjected to change without notice.

TCA Lifting Ltd  
Unit 4, Derby Dell Buildings, Lasham  
Hampshire. GU34 5RX United Kingdom  
Tel. (+44) 0845 603 5360  
info@tcalifting.com  
www.tcalifting.com



**TCA LIFTING**  
Specialist Cranes & Access