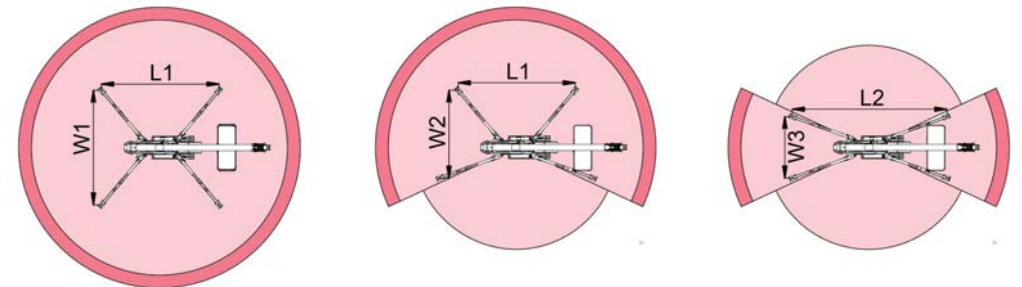
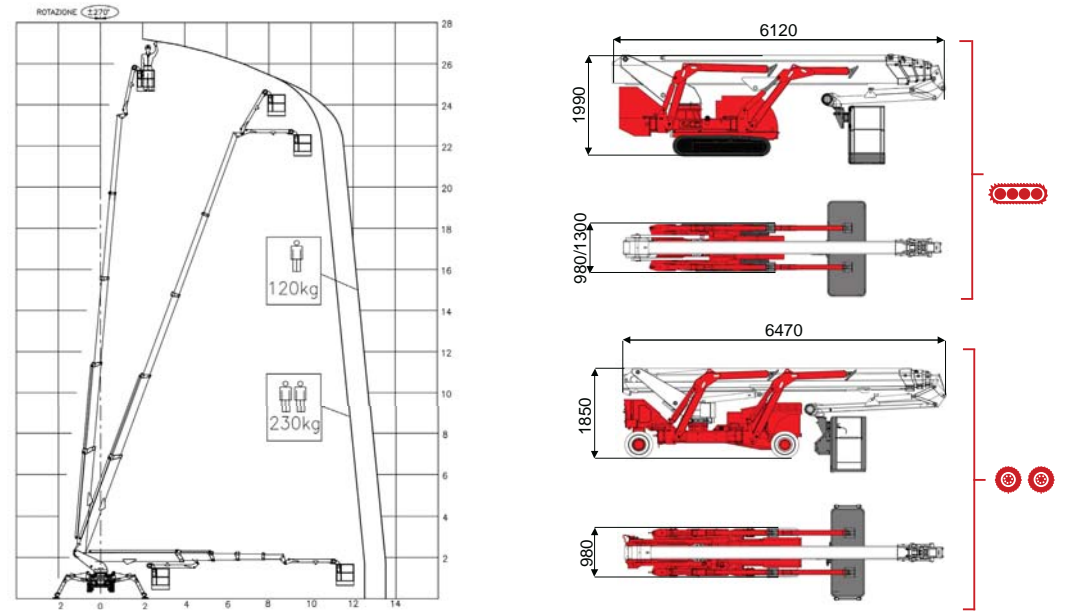




27 m ↑
13,5 m →
230 Kg 🧑🧑



12500 mm	13500 mm	7000 mm	L1	L2	W1	W2	W3
230 kg	120 kg	120/230 kg	5091 mm	6469 mm	4538 mm	3661 mm	2744 mm

BI-ENERGY Diesel+AC																				
TSJ 27/C			27 m	13,5 m	230 kg	175°	540°	180x70 cm	90°+80°	5-2,86 m	26%	40%	1,7 km/h	4580 kg	29 kN	2,20 kN/m ²	3,95 kN/m ²	980/1300 mm	6120 mm	1990 mm
TSJ 27/R			27 m	13,5 m	230 kg	175°	540°	180x70 cm	90°+80°	5-2,86 m	26%	25%	1,3 km/h	4700 kg	29 kN	2,26 kN/m ²	3,95 kN/m ²	980 mm	6470 mm	1850 mm

	Battery type	Battery charge	Add. Weight	Autonomy	Charging time	Electropump		
ECO	DC+AC		48V 320 A/h 5h	230V-48V 45A	450 kg	6-7 h endless	7h	48V 12 kW
ECO	DC+AC		48V 270 A/h 5h	230V-48V 45A	400 kg	6-7 h endless	7h	48V 9 kW
HYBRID	Diesel+DC		24V 240 A/h 5h	230V-24V 35A	200 kg	2-3 h endless	7h	24D 5,5 kW

TCA Lifting Ltd
Unit 4, Derby Dell Buildings, Lasham
Hampshire. GU34 5RX United Kingdom
Tel. (+44) 0845 603 5360
info@tcalifting.com
www.tcalifting.com



Characteristics and technical data are informative only and subjected to change without notice.