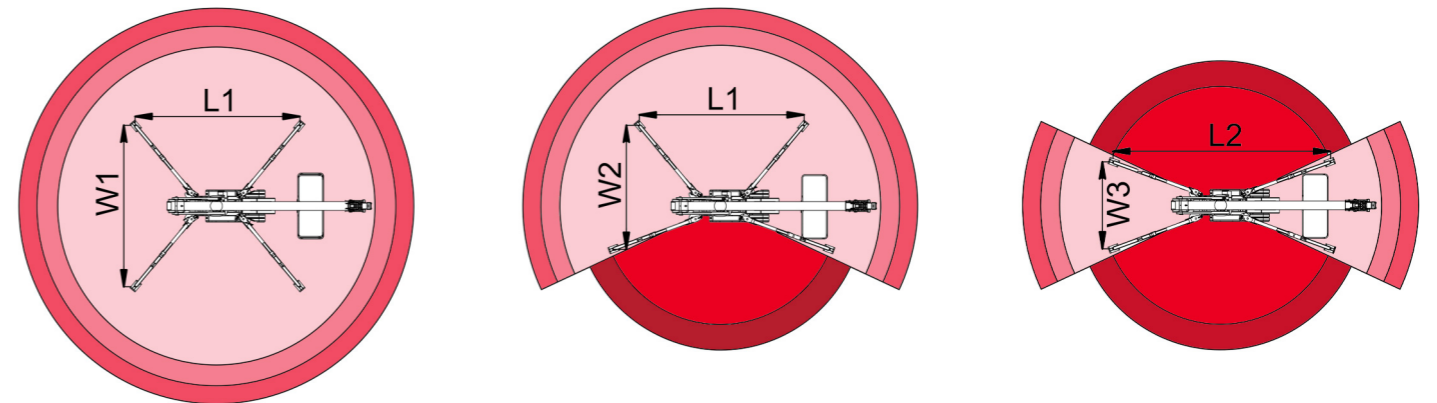
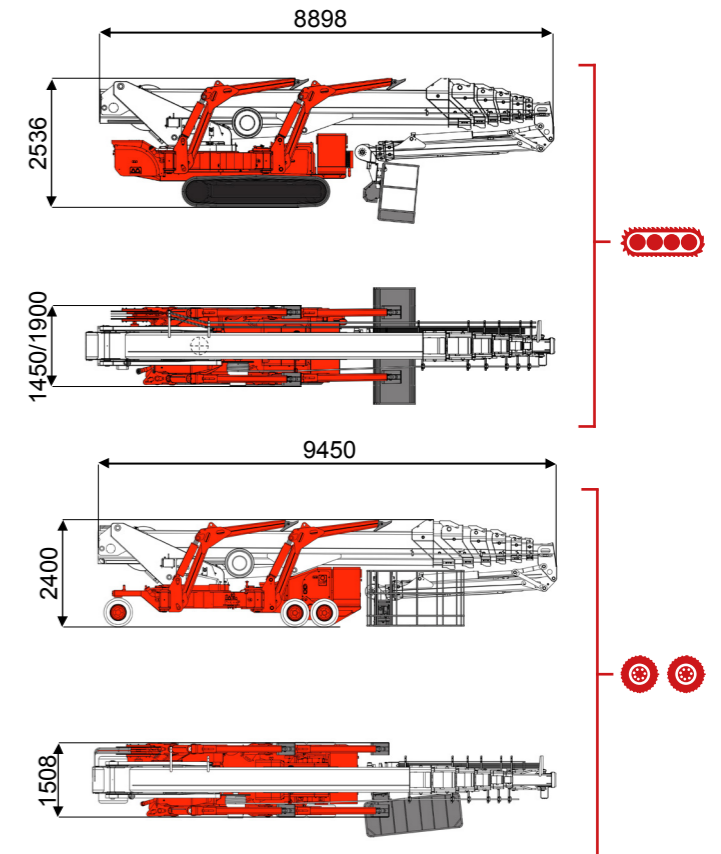
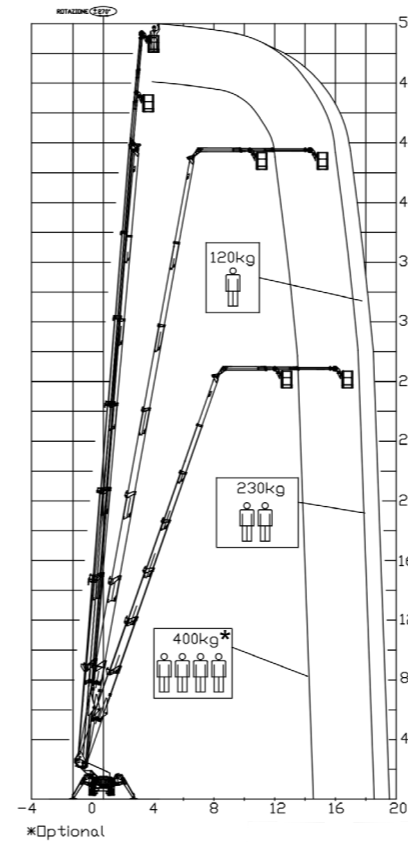




52 m ↑
19,5 m →
400 Kg 🧑🧑🧑



14000 mm	18000 mm	19000 mm	12000 mm	16000 mm	L1	L2	W1	W2	W3
400 kg	230 kg	120 kg	400 kg	120/230 kg	6250 mm	6946 mm	5000 mm	4500 mm	4000 mm

BI-ENERGY Diesel+AC	🔋	🧑	🧑	🧑	📐	📐	📐	📐	📐	📐	📐	📐	📐	📐	📐	📐	📐	📐	📐	📐	📐
XTJ 52/C	🔋	52 m	19,5 m	400 kg	170°	660°	240x70 cm	90°+80°	4-5 m	15%	40%	1,5 km/h	14000 kg	95 kN	4,19 kN/m²	6,55 kN/m²	1450/1900 mm	8898 mm	2536 mm		
XTJ 52/R	🔋	52 m	19,5 m	400 kg	170°	660°	240x70 cm	90°+80°	4-5 m	15%	25%	1,4 km/h	13000 kg	95 kN	3,90 kN/m²	6,09 kN/m²	1508 mm	9450 mm	2400 mm		

ECO	DC+AC	🔋	🔋	+ Kg	🕒	🕒	🔋
		Battery type	Battery charge	Add. Weight	Autonomy	Charging time	Electropump
ECO	DC+AC	48V 270 A/h 5h	230V-48V 45A	400 kg	6-7 h endless	7h	48V 9 kW

TCA Lifting Ltd
Unit 4, Derby Dell Buildings, Lasham
Hampshire. GU34 5RX United Kingdom
Tel. (+44) 0845 603 5360
info@tcalifting.com
www.tcalifting.com

