

# UR-W547C



TCA LIFTING

**UR-W547C provides maximum hook height of 18.2m with its seven section hydraulic boom.**

Its compact 7 section long hydraulic boom provides the wide working radius of 17.83m and fantastic hook height of 18.2m. The long and yet compact boom gains a huge variety of lifting situation.



**Max 18.2m**  
Hook height (Approx.)  
(Above ground level)



with electric power unit

**Max 4.05t x 2.5m**  
Lifting capacity

**Max 17.83m**  
Working radius

**5020kg**  
Mass of crane



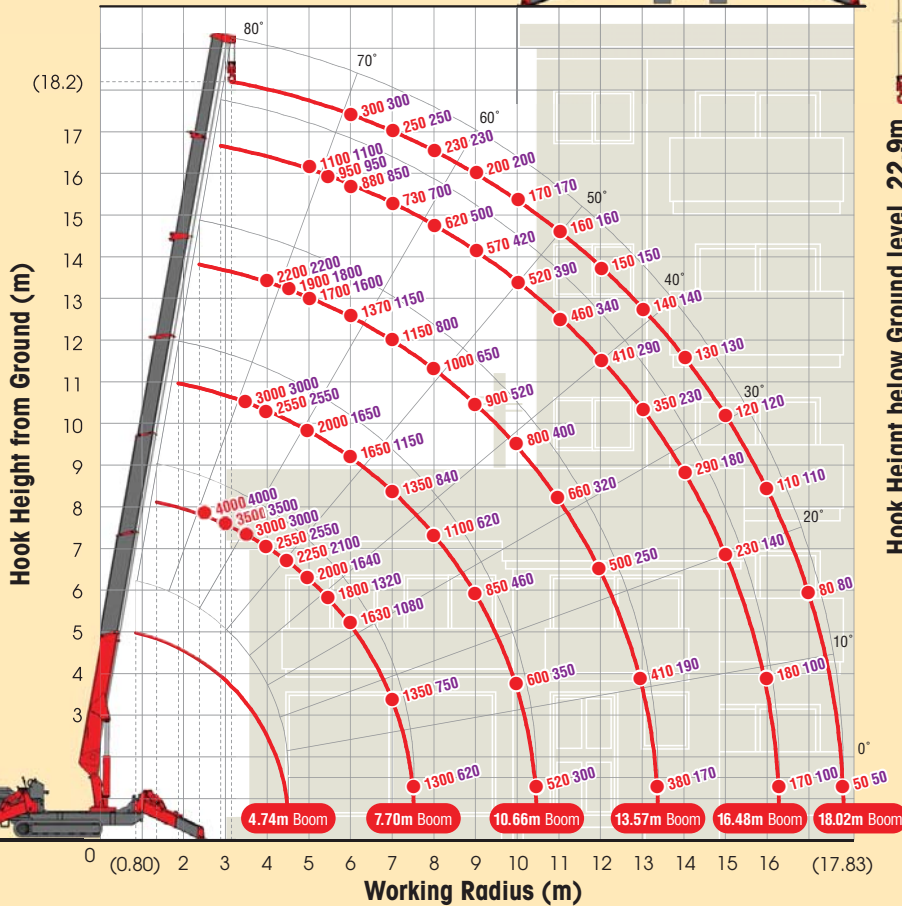
Radio remote control

## SPECIFICATIONS

Crane model	UR-W547C2
Lifting capacity	Max. 4.05t at 2.5m
Working radius	Min. 0.80m, Max. 17.83m
Hook height (Approx.)	Above ground level Max. 18.2m
	Below ground level Max. 22.9m with 4-part line
Boom	Length Min. 3.99m to Max. 18.02m
	Extending speed [with electric power unit] 14.03m / 35.0 sec. [50Hz] 14.03m / 61.0 sec. [60Hz] 14.03m / 51.0 sec.
	Raising angle / speed [with electric power unit] 0° to 80° / 18.0 sec. [50Hz] 0° to 80° / 30.0 sec. [60Hz] 0° to 80° / 25.0 sec.
	Structure 7-section box beam type telescoping boom
Winch	Single line speed [with electric power unit] 56.0 m/min (at 5th layer) [50Hz] 30.0 m/min (at 5th layer) [60Hz] 36.0 m/min (at 5th layer)
	Hook speed [with electric power unit] 14.0 m/min (at 5th layer with 4-part line) [50Hz] 7.5m/min (at 5th layer with 4-part line) [60Hz] 9.0 m/min (at 5th layer with 4-part line)
	Structure Hydraulic motor driven, spur gear reduction, with automatic mechanical brake and wire rope retaining roller
	Wire rope Construction : IWRC L6 x P-WS(26) / Diameter x Length : 8mm x 103.0m / Breaking strength : 53.0kN [5400 kgf]
	Hook block 4.00t capacity, 2 sheaves with safety latch
Slewing	Range 360° continuous rotation on a ball bearing race
	Speed [with electric power unit] 2.5 rpm [50Hz] 2.0 rpm [60Hz] 2.3 rpm
Outriggers	Structure Hydraulic motor driven, worm gear reduction, spur gear reduction, and worm self-locking brake (supported by ball bearings)
	Horizontal, Vertical A double acting hydraulic cylinder, direct pushing type (Directly connected with hydraulic automatic lock device)
Hydraulic pump	Type Variable delivery piston pump
	Rated pressure 21.6 MPa [220 kgf/cm <sup>2</sup> ]
	Rated delivery 60 liters/min
	Rated revolution 2500 rpm
Hydraulic oil tank capacity	75 liters
Safety devices	Pressure relief valve for hydraulic circuit / Counterbalance valves for boom raising and boom telescoping cylinders / Pilot-operated check valves for outrigger cylinders (Horizontal) Double pilot-operated check valves for outrigger cylinders (Vertical) / Boom angle indicator with load indicator / Hook safety latch / Automatic mechanical brake for winch Automatic stop for overwinding / Overwinding alarm / Automatic stop for leaving minimum wire rope / Emergency stop button / Inter-lock device of crane and crawling levers Inter-lock device of crane and outriggers / Level / Automatic stop for overloading (KM-100) / Digital load meter / Three colored lamp / Headlight / Boom outrigger monitor lamp

## WORKING RANGE & NET RATED LOADS (kg)

Outrigger ● Max-extended NOT max-extended

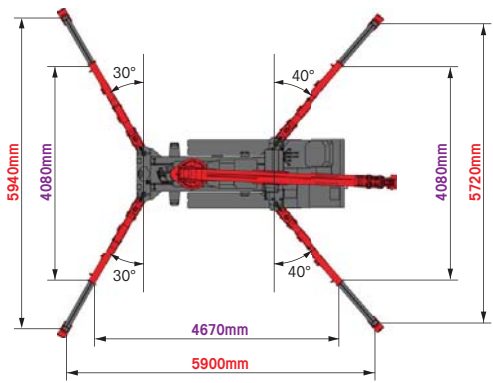
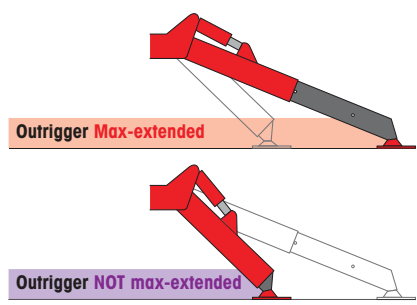


### Searcher hook assembly (Options)

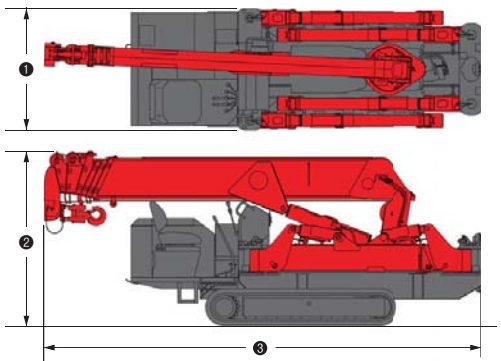
NOTE: Automatic stop for overloading is not available in combination with this Searcher hook assembly. For more information, contact your local UNIC distributor.

Length	800mm
Lifting capacity	Max. 500kg
Tilt angles	0°, 20°, 40°, 60°

## OUTRIGGER POSITIONS



## DIMENSIONS



## CRAWLING GEAR

Crane model	UR-W547C2
Crawling speed [with electric power unit]	0~3.0 km/h, forward / backward [50Hz] 0~1.3 km/h [60Hz] 0~1.5 km/h
Hill climbing ability	23°
Tread length	1750mm
Ground contact pressure [with electric power unit]	47.0 kPa [0.48 kg/cm <sup>2</sup> ] 48.1 kPa [0.49 kg/cm <sup>2</sup> ]
Engine manufacturer / model	Yanmar / 3TNV76
Displacement	1115cc
Maximum output	15.17kW(20.6PS) / 2500 rpm, Rated output
Fuel	Diesel
Fuel tank capacity	40 liters
Steering	Hydraulic drive independent of left / right
Starter	Starter motor

Crane model	UR-W547C2
① Total width	1380mm
② Total height	1980mm
③ Total length	4955mm
Mass of crane	5020kg [5170kg]

[with electric power unit]

### Electric power unit specifications

Rated power	7.5kW (3-phase 4 poles)
Voltage	AC 200V or 400V (50Hz / 60Hz) 3 phase 4P

\*Not included any cables.